

BUDESTRA-Niveau®
self-levelling surface boxes

Surface boxes

– thorough protection, quick access



Safe in traffic areas

Surface boxes are usually positioned in traffic areas. They protect operating elements of water, gas and supply fittings buried in the ground while simultaneously making them accessible. Requirements regarding design, testing and labelling are governed by DIN 3580-1. During testing, the surface boxes are subjected to loads of 400 kN (housing) and 200 kN (cover).



Feature for sustainability and safety

Products equipped with one or multiple features can be identified by the icons before the article numbers.



The MEIPREN® feature

Reduced noise

BUDESTRA-Niveau® surface boxes are equipped with an all-round, replaceable, temperature-resistant insert MEIPREN®. MEIPREN® inserts are subject to constant quality control to ensure that they meet the stringent demands. This means products using MEIPREN® can meet even the highest standards for traffic safety, noise reduction and wear.

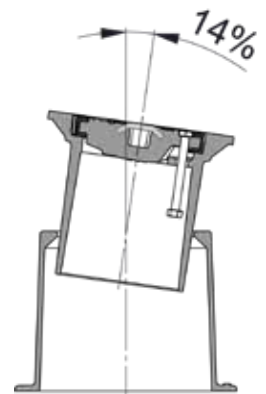


The other advantages at a glance:

- extremely large support collar, excellent load transfer
- self-levelling and suitable for roll-in
- adjustable incline and height
- freeze-resistant cover surface
- anti-freeze layer can be driven over



- installation without carrier plate possible
- installation in paved area possible
- impact-resistant bars made of stainless steel, rust-proof
- bolts and hexagon nuts made of stainless steel, rust-proof
- long service life due to use of dimensionally stable cast iron
- high heat resistance (1 hour up to 180 °C) / important for installation with hot asphalt
- cover can be replaced with compatible DIN products

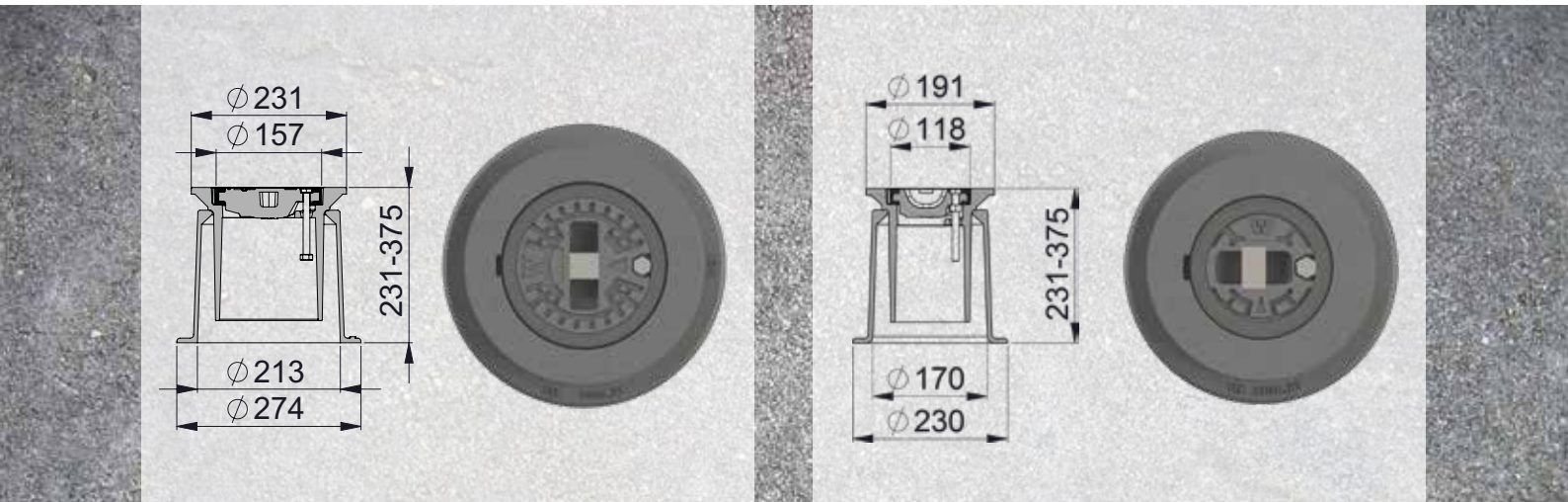


BUDESTRA-Niveau®

– self-levelling surface box

- class D 400
- according to DIN 4056-1-V
- based on construction principles similar to DIN 3580-1
- for shut-off valves
- self-levelling frame made of cast iron
- adjustment range 231-375 mm
- cast iron cover

- class D 400
- according to DIN 4057-A-V
- based on construction principles similar to DIN 3580-1
- for tapping valves
- self-levelling frame made of cast iron
- adjustment range 231-375 mm
- cast iron cover



Article no. B1310510/1

- cover with cushioning insert MEIPREN®

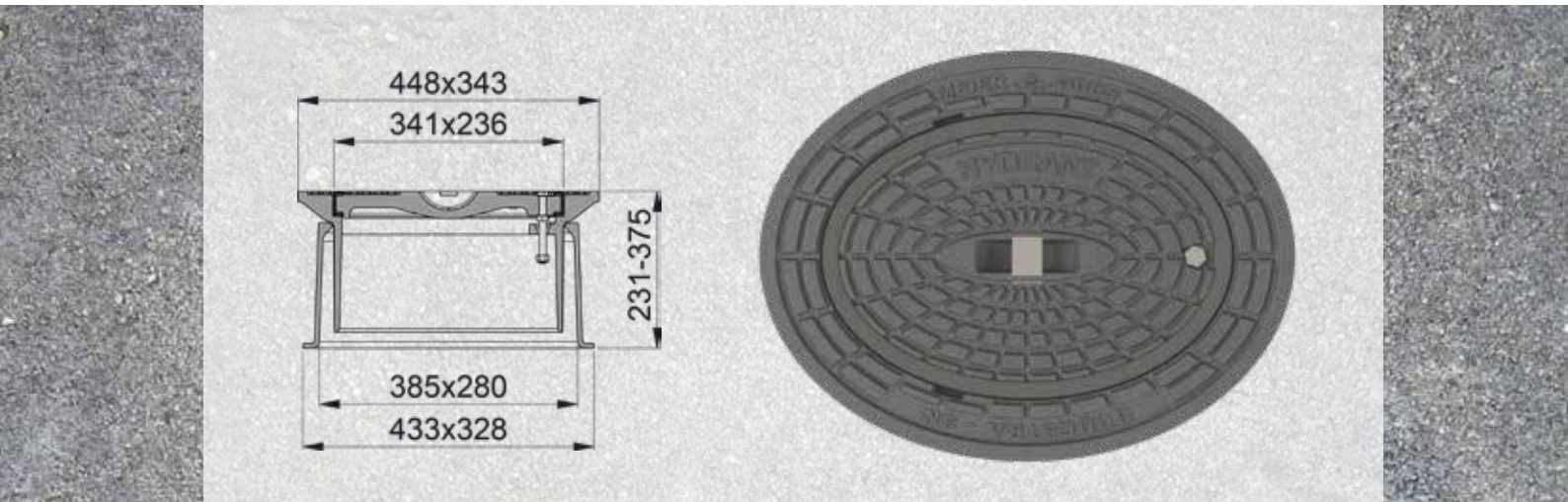
Article no. B1310410/1

- cover with cushioning insert MEIPREN®

BUDESTRA-Niveau®

– self-levelling surface box

- class D 400
- according to DIN 4055-U-V
- based on construction principles similar to DIN 3580-1
- for underground hydrants
- self-levelling frame made of cast iron
- adjustment range 231-375 mm
- cast iron cover



Article no. B1310610/1

- cover with cushioning insert MEIPREN®



QUALITÄT

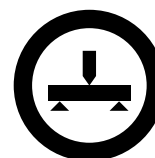
MeierGuss sets
the benchmark for quality

As a manufacturer and specialist for sewer castings, MeierGuss stands for high quality standards and high-class, ready-to-install cast iron products. Our products are manufactured at three production sites in Germany. Thanks to the consistent high quality of our products and on-time delivery, together with continuous investment, we have achieved market leadership in Germany. Our proximity to the market, our regular constructive exchange with customers and the close cooperation of all MeierGuss departments allows us to make decisions quickly and develop our products in line with the market.

Quality in sewer casting is particularly important, as these products have to meet high safety standards and are subject to increasingly high demands due to steadily increasing traffic. The MeierGuss Group is one of the few suppliers in the area of sewer casting whose production sites and German distribution company are certified in accordance with DIN EN ISO 9001, DIN EN ISO 14001 and DIN EN ISO 50001. Through our focus on quality, monitoring by independent certification bodies and the RAL seal of quality RAL-GZ 692 we oppose the quality reduction caused by the European harmonisation in accordance with EN 124:2015 and exclusive focus on price during purchasing. Sewer casting products must meet additional important requirements of operational and traffic safety to be given the RAL seal of quality RAL-GZ 692. The seal of quality therefore helps users come to a decision on which product to purchase.



KIWA



MeierGuss Sales & Logistics GmbH & Co. KG

Auf der Welle 5-7 | 32369 Rahden, Germany
Phone: +49 5771 918-0 | Fax: +49 5771 918-226

For our information on calls for tender and
contact information, please visit us at:
www.meierguss.de

